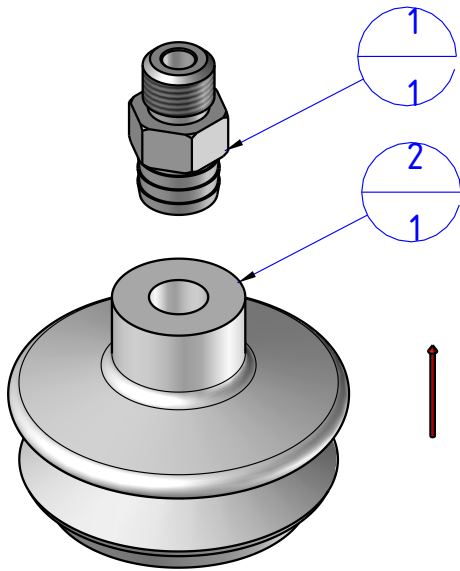
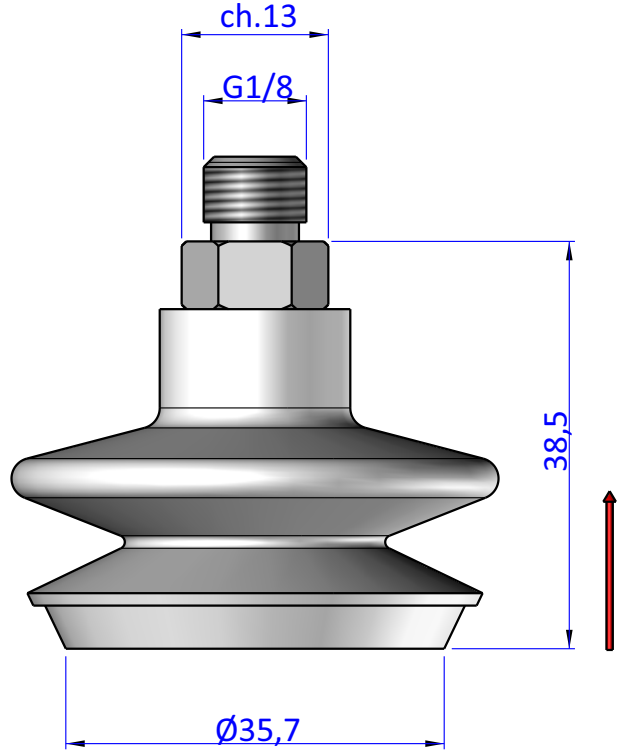


THE PROPERTY OF THE DRAWING IS ESTABLISHED BY LAW. IT IS FORBIDDEN TO PRODUCE OR SHOW IT TO THIRD PART. WITHOUT A WRITTEN AGREEMENT.

Item	Name	Q.ty
1	CA.08.09.011	1
2	CA.08.26.D43.AS	1



DESIGNED FROM	FPS Automation	REVIEW	A
DATE	04/11/2020	WEIGHT	0,022kg
CODE	KIT.08.26.D43.11		

Format A4

UNI 936-76

GENERAL TOLERANCE

UNI - ISO 2768

CLASSE f

DESCRIPTION

KIT.08.26.D43.11